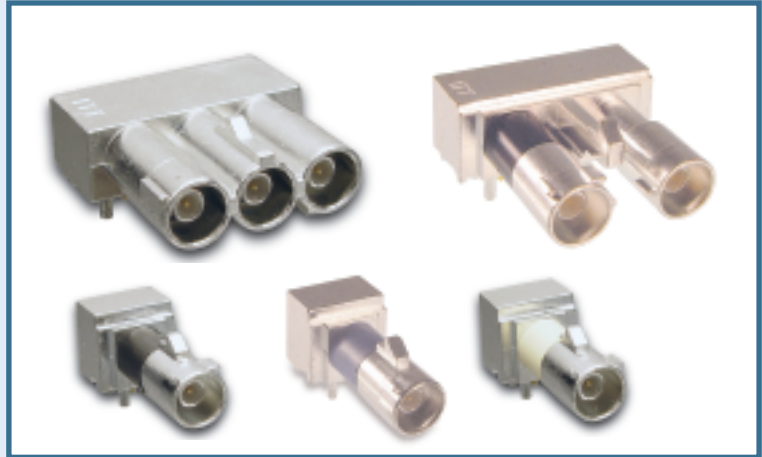


Features/Benefits

- *Robust Connector made of one metal piece*
- *Supports 0 to 4 GHz transferring speed*
- *Available in a variety of Fakra codes*

Typical Applications

- *Bluetooth*
- *Global positioning satellite*
- *Remote vehicle diagnostics*
- *Satellite radio*
- *Vehicular internet access*



Fakra is a standard developed by the DIN group for RF connectors used in “Road Vehicle” applications. RF connectors are fitted with a color coded, and polarized diecast housing.

Fakra Connectors are available in 1, 2 and 3 way right-angle PCB versions. They are ideally suited for circuit miniaturization and are offered in a wide range of configurations which includes, black (A), natural (B), blue (C), violet (D), beige (I).

The desirable feature of the new 50 ohm Fakra connector is its consistent low mating and unmating forces, extremely low VSWR and insertion loss (IL) values up to 4 GHz.

FAKRA

Performance Specifications

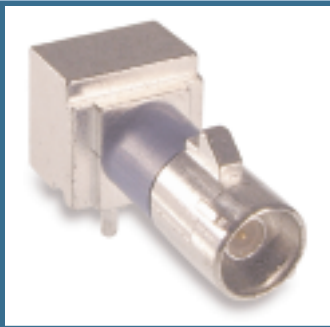
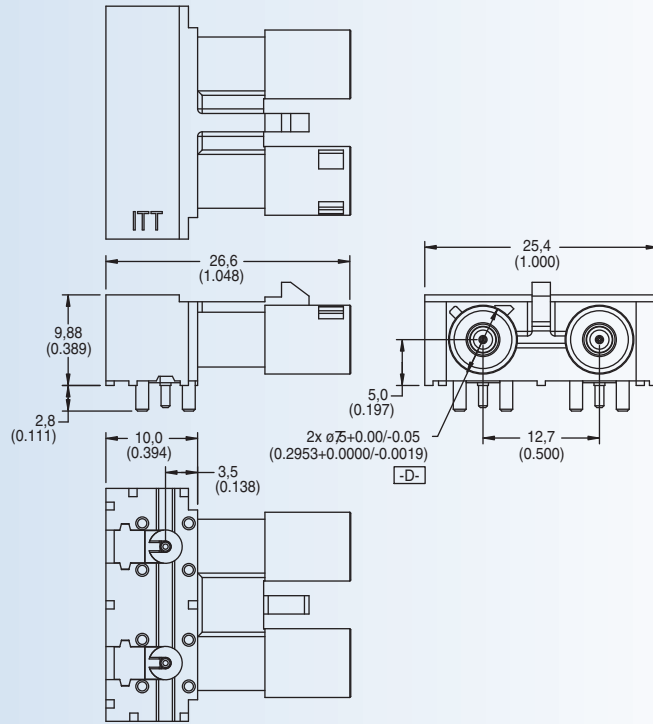
CONNECTOR DURABILITY:	50 mating cycles min.
CONTACT RESISTANCE, INNER CONDUCTOR:	6.0m Ω max. before environment 8.0m Ω max. after environment
CONTACT RESISTANCE, OUTER CONDUCTOR:	2.0m Ω max.
CORONA LEVEL:	190 V min.
DWV (PIN-TO-CASE):	750 VAC rms
IMPEDANCE:	50 Ω
INSERTION LOSS:	0.8 to 2 GHz: 0.35 dB max. 2 to 3 GHz: 0.45 dB min.
MATING FORCE:	1 way: 75 N max. 2 way: 100 N max. 3 way: 100 N max.
MOUNTING:	Thru-hole
NUMBER OF CIRCUITS:	1, 2, 3
OPERATING TEMPERATURE:	-40°C to 105°C (-40°F to 221°F)
PACKAGING:	1 way: Tape & reel 2 way: Tape & reel 3 way: Tube of 20 pieces
PEAK SOLDER TEMPERATURE EXPOSURE:	30 s
RF LEAKAGE:	0.8 to 3 GHz: -40 dB min.
STORAGE TEMPERATURE:	-40°C to 105°C (-40°F to 221°F)
VSWR:	1.2 max. at 3 GHz

Materials and Finishes

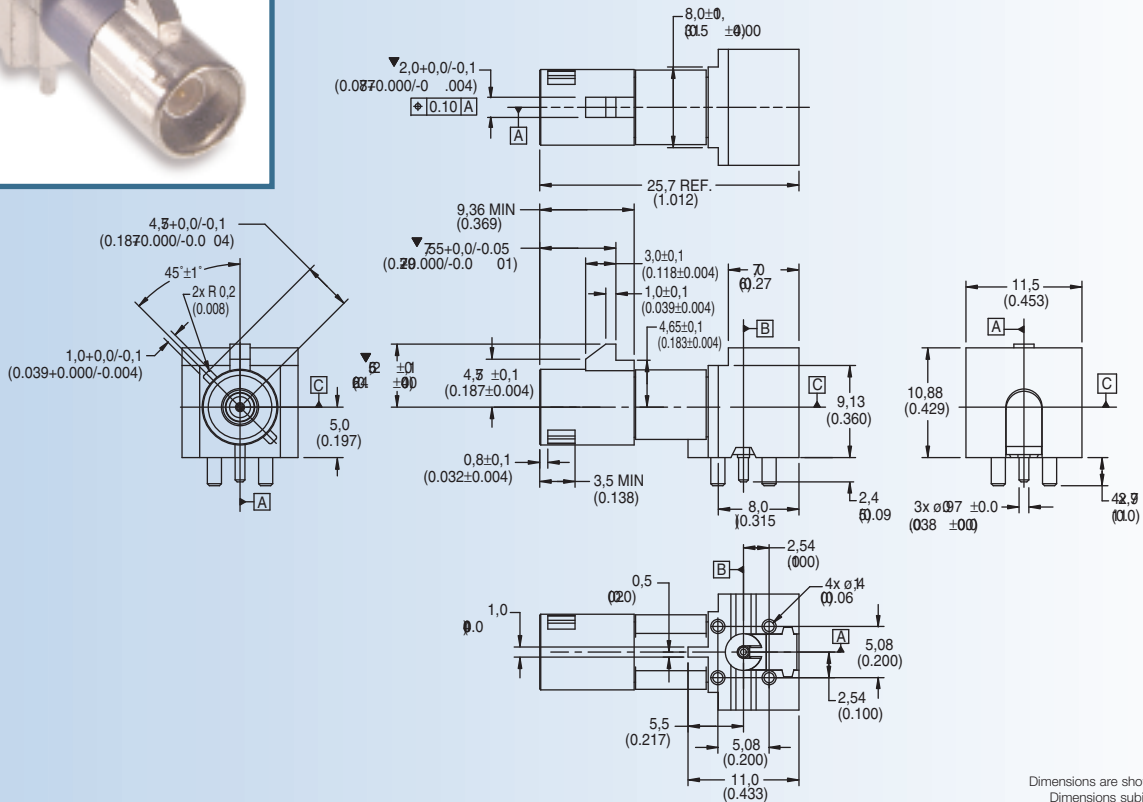
HOUSING:	Zinc alloy, Tin lead plating
CONTACT:	Brass or beryllium copper, Gold plating
COLOR BAND:	High temperature plastic, glass filled
OUTER CONDUCTOR:	Brass, nickel plating
DIELECTRICS:	Teflon



2 Way, Part Number: T112220-0015



1 Way, Part Number: T112220-0007



Dimensions are shown: mm (inch)
Dimensions subject to change

